

Plasma brackets and supports from SMS

Design

113.5 mm
130 mm
Screens cent
Mobile 1150: appr 1310 mm
Mobile 1450: appr 1610 mm
Mobile 2000: appr 2160 mm
Mobile 1150: appr 1140 mm
Mobile 1450: appr 1440 mm
22 mm

Function

appr 622 mm
appr 783 mm
Optional
appr 913 mm

Safety

64
64
630
600

At last!

A plasma TV as a picture on the wall or a sculpture on the floor!

In 1950, it was predicted that no housewife would allow such a monstrosity as a TV to take up so much valuable living-room space. The TV, it was thought, would only be something for a handful of devotees – until TV sets arrived that could be hung on the wall.

The TV, as we all know, proved a resounding success – but one thing remained to be developed: the flat screen.

Finally, the flat screen has arrived, and it has brought a new dimension to the entire televisual experience. Something that also improves the quality of how you communicate with your customers.

But it's not just a matter of perfecting the technology – aesthetics and design have also become a crucial part of the overall impression. A fact that we at SMS have long been aware of.

In partnership with the No Picnic design group, we have come up with an extensive range of revolutionary products that give expression to our distinctive keywords: Function, Safety and Design.

Inside, you will find our full catalogue of stands, supports, brackets and accessories for our Plasma range, and see how our philosophy manifests itself in our products.

Our plasma brackets have been weight tested by The Royal Institute of Technology, KTH, Stockholm.

I am confident that you will find much to suit you and your new needs for a new era of television. Welcome to the Plasma Age!

Dan Berglund

MANAGING DIRECTOR

SMS – SAFE BRACKETS AB

SMS Plasma Mobile

SMS Plasma Mobile has been exclusively produced for the quality conscious. SMS Mobile can be moved easily from room to room or fixed in position with the lockable castors. With one or two screens, you can communicate your message to maximum effect.

A wide range of shelves is available in beech, birch, black, grey, yellow lacquer or transparent for a DVD player, receiver etc.



A cable groove provides an aesthetic solution.



Lockable castors are standard on all SMS Mobile models.



The shelves can be raised/lowered in steps of ± 50 mm. A locking pin holds them firmly in place. (Securing plate)



Two screens can be mounted one above the other to give your message even greater impact.



Base and shelves extra.

INFO

<p><i>Colour SMS Plasma Mobile:</i> Black textured lacquer or anodised aluminium/silver.</p>	<p><i>Mobile 1150/1450/2000:</i> <i>Height of pillar:</i> 1150 mm <i>Total height:</i> 1300 mm 1450 mm 1600 mm 2000 mm 2150 mm</p>
<p><i>Max. weight:</i> 100 kg</p>	<p><i>Base shelf Mobile 1150/1450/2000:</i> <i>Width:</i> 957 mm <i>Depth:</i> 647 mm</p>
<p><i>Adjustability:</i> The plasma screen and the shelves (extra) can be raised/lowered in intervals of ± 50 mm.</p>	

SMS Plasma F1150/1450/2000 and Table Stand

The SMS Floor Stand is a high quality combination of our keywords: function, safety and design. All floor stands are fitted with a triple plug socket, with the cables discreetly concealed in grooves running down the side of the pillar. The floor stand is fitted with SMS's unique smart snap-on mounting – the "Slide", which makes fitting and removing the screen as easy as hanging a picture. Shelves in lacquered MDF or birch/ beech/transparent for a DVD player, receiver etc can be fitted as extras. Floor and table stands are available in black or anodised aluminium as standard, but they can also be lacquered in the colour of your choice.



A choice of functionality, as all floor stands can be fitted with horizontal or vertical slide/screen. (F1150/1450/2000).

Table Stand.

INFO

Colour SMS Plasma Floor: Black textured lacquer or anodised aluminium/silver.	<i>Floor 1150/1450/2000</i>	
	<i>Height of pillar:</i>	<i>Total height:</i>
	1150 mm 1450 mm 2000 mm	1200 mm 1500 mm 2050 mm
<i>Max. weight:</i> 100 kg	<i>Table Stand, height:</i> 600 mm <i>Total height:</i> 615 mm	
Adjustability: The plasma screen and the shelves (extra) can be raised/lowered in intervals of ± 50 mm.	<i>Foot plate F1150/F1450/F2000:</i>	
	<i>Width:</i> 765 mm	<i>Depth:</i> 495 mm
	<i>Foot plate Table Stand:</i>	
	<i>Width:</i> 635 mm	<i>Depth:</i> 375 mm



Safety device

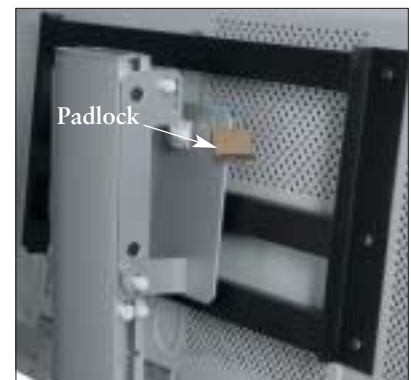
Shelves, vertically adjustable in intervals of ± 50 mm, are optional extras. (F1150/1450/2000).



The SMS slide with the V-shaped mounting makes removal to a other SMS bracket easy and safe.



SMS plasma stands have integral triple plug sockets in the pillar.



Padlock

All SMS pillar brackets allow the screen to be secured with a padlock. (Extra).

SMS Basic Tilt

The SMS Basic Tilt wall mount places the plasma screen flush with the wall. The screen is mounted easily using SMS's unique slide.

Thanks to the slide mounting, you can also move the screen to any other SMS product of your choice. As close to the wall as you'll ever get! The 600 mm span between the mounting holes enables installation onto wall batons. (Can also be tilted by up to 10°).



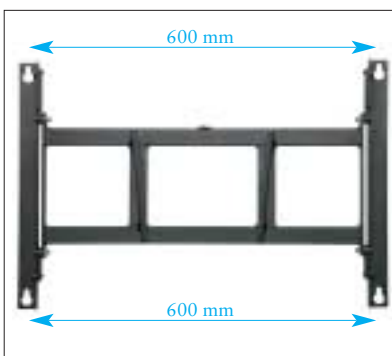
Distance to the wall only 20 mm (excl. slide). Securing screws prevent the slide from tilting.



The slide can be tilted to a maximum of 10°.



Basic Tilt can be easily adapted to the shape of the room and the position of the viewers.



Mounting is easy thanks to the "keyhole" brackets for the wall screws. The 600 mm span between the mounting holes enables installation onto wall batons.



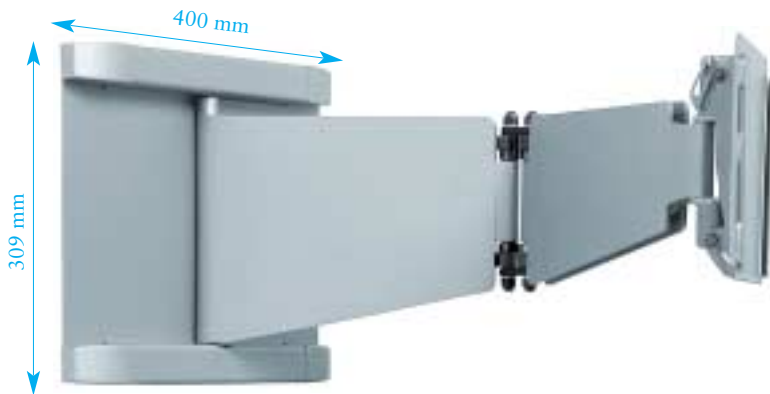
INFO

<i>Colour SMS Basic:</i>	Black textured lacquer.	<i>Weight:</i> 5 kg
<i>Distance from wall:</i>	20 mm (excl. slide).	Handles a maximum of 61" (100 kg)
<i>Width:</i>	630 mm (total).	Max tilt: 10° (approx.)
<i>Height:</i>	425 mm (total).	

SMS Plasma 3Dimension

Now you can make dynamic presentations regardless of the room's architectural limitations. We have succeeded in producing a very thin, flat, mobile and flexible wall support without compromising on safety.

The new SMS Plasma 3Dimension is the perfect expression of our motto: Function, Safety and Design. Can be easily pulled between 100 and 700 mm out from the wall. Drag-tilt-drop.



SMS Plasma UniSlide



SMS Plasma UniSlide supports both vertical or horizontal hanging and suitable for screens up to 45 kg in weight and 50" in width/height. Quick to assemble and can easily be transferred to another SMS plasmastand/support.

Sits only 30 mm proud of the mounting bracket.

INFO	
<p><i>Colour SMS 3Dimension:</i> Black textured lacquer or silver lacquer.</p>	<p><i>Distance from wall</i> with one arm: 400 mm with two arms: 700 mm</p>
<p><i>Weight:</i> 21,5 kg max weight for hanging 45 kg. (Screens up to 50").</p>	<p><i>Optional</i> Wall pillar W490 or W1150 Shelves for DVD, receiver etc.</p>
<p><i>Wall panel:</i> Width: 400 mm, Height: 309 mm Depth: 100 mm (Collapsed, minus slide) Tilt: 10° down (approx).</p>	



Can be fitted underneath with a pillar and shelves for DVD player, receiver etc.



Only 100 mm from the wall – collapsed.



700 mm from the wall when extended.
Drag-tilt-drop.



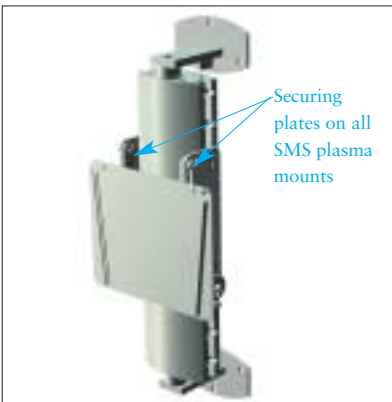
Thanks to the wedge-shaped carriage mounting, the screen can be mounted vertically or horizontally



The W490 is completely concealed by the screen. (50" and 61")



The viewing angle can be changed with ease.



The W490 and W1150 are best mounted on a pillar if there is not enough wall space.



The mounting can be swivelled by $\pm 20^\circ$.

SMS W490/W1150

The SMS W490/W1150 mounting is suitable for situations when function and design must go hand in hand. It is perfect for shops and showrooms where wall space might be short.

The W490, for instance, disappears completely behind the screen (50" and 61") but can still be swivelled up to 20° .

The W1150 makes it possible to place a DVD player, for instance, on a shelf below the screen and to rotate the screen itself to give the best possible viewing angle.



INFO

Colour SMS W490/W1150:	Black textured lacquer or anodised aluminium/silver details.	Adjustability: Plasma screen can be tilted:	15° approx.
		Screen can be swivelled:	20° approx.
Colour slide:	Black textured lacquer or silver lacquer.	Distance from wall to slide mounting:	160 mm
Maximum weight:	100 kg	Weight W490:	9 kg
		Weight W1150:	11 kg

SMS W/F2000 and C/F3000

SMS W/F2000 and C/F3000 takes up to 3 landscape-oriented or 2 portrait-oriented screens.

The SMS slide makes hanging the Plasma screen easy and the screen can be raised/lowered in steps of 50 mm.

The screen can be tilted by 15° and be swivelled by 20° and is secured with a center punch and Lock Tite at the floor and ceiling/wall mounting.

Standard colours: black or aluminium.



Shelves extra



Two screens can be hung vertically.



The shelves are available in transparent or grey, black or yellow lacquered MDF board or solid birch or beech as standard.



The C/F top section is ceiling-mounted.

INFO

Colour SMS W/F2000 and C/F3000: Black textured lacquer or anodised aluminium/silver details.	Adjustability: <i>Plasma screen can be tilted:</i> 15° approx. <i>Screen can be swivelled:</i> 20° approx.
Maximum weight: 200 kg	<i>Distance from wall W/F2000:</i> 120 mm <i>Distance from wall to slide W/F2000:</i> 160 mm <i>Total length W/F2000:</i> 2130 mm <i>Total length C/F3000:</i> 3300 mm
	<i>Weight W/F2000:</i> 19 kg <i>Weight C/F3000:</i> 25 kg

SMS C490/CD490 C1150/CD1150

For Plasma screens up to 61" with the possibility to mount two screens back to back on CD490/CD 1150.

The SMS slide makes the Plasma screen easy to hang and can be raised/lowered in steps of 50 mm.

The screen is fully rotatable by 360° and can be tilted up to 15°.

Secured with a center punch and Lock Tite. Standard colours: black or aluminium.



The screen can be adjusted vertically in steps of 50 mm, and rotated 360°.



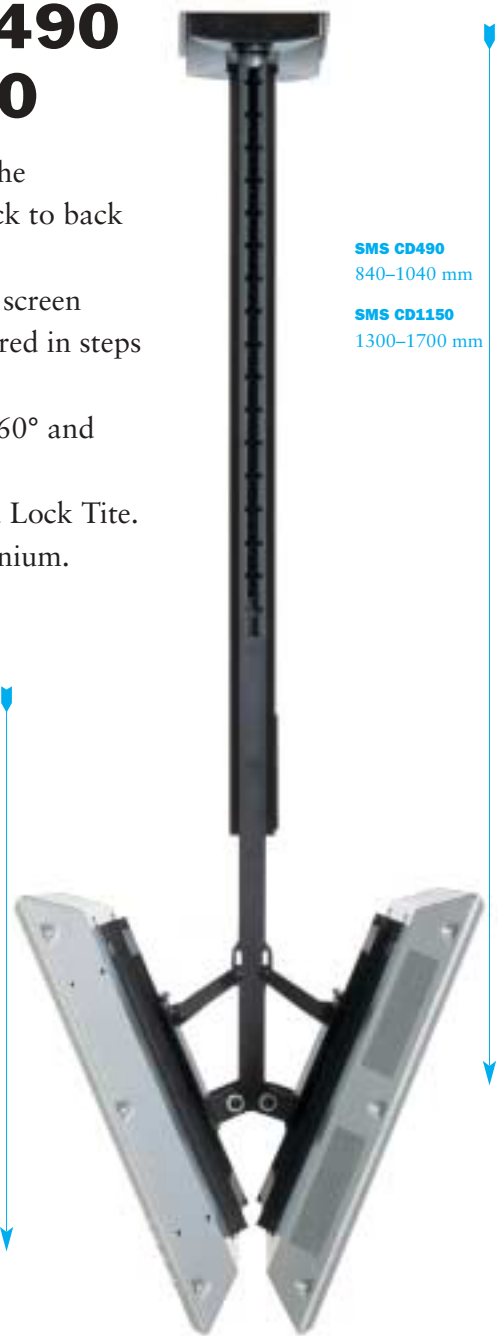
SMS's unique slide system makes it easy to move the screen to other SMS products.



The mounting is fully concealed from the audience.



Both screens can be tilted up to 15°.



SMS CD490
840–1040 mm

SMS CD1150
1300–1700 mm

SMS C490
1060–1260 mm

SMS C1150
1720–1920 mm



INFO

Colour:	Black textured lacquer or anodised aluminium/silver details.	C490: 1060–1260 mm C1150: 1720–1920 mm Screen adjustable in steps of 50 mm.
Max. weight C490/C1150:	75 kg up to 61".	<i>Detailed information is found at the back.</i>
Max. weight CD490/CD1150:	150 kg up to 61".	CD490: 840–1040 mm CD1150: 1300–1700 mm Screen adjustable in steps of 50 mm.
Weight:	C490 10 kg C1150 13 kg	CD490 19 kg CD1150 20 kg <i>Detailed information is found at the back.</i>

SMS T4 Plasma

For Plasma screens up to 61", tiltable up to 15°. Adjustable ceiling suspension arm, 380–780 mm or fixed to the ceiling.

The screen is fully rotatable by 360°. Secured with a center punch and Lock Tite.

Standard colours: black or silver.



The ceiling suspension arm can be adjusted in steps of 50 mm.

SMS V4 Plasma

Double rotator system, swing arm ±90°, plasma mounting rotatable 360°.

For Plasma screens up to 61", tiltable up to 15°.

The vertical wall console enables mounting on beams and pillars, extra strong wall plate available for plaster walls.

Secured with a center punch and Lock Tite.



V4 Plasma's mounting system makes it possible to rotate the screen around its own axle.

SMS C Basic

A streamlined, minimalist, yet elegant bracket. Hangs vertically. All wires/cables are discreetly concealed in the cylinder.

The screen is tiltable up to 25° and fully rotatable 360°. Available in black textured lacquer or silver lacquer.



The cables are fed through the support and the slide can be secured with a padlock to prevent theft (extra).



The screen can be raised or lowered in steps of 100 mm and rotate 360°.

INFO

Colour:	Black textured lacquer or silver lacquer.	SMS T4:	Detailed information is found at the back.
Max weight SMS T4:	75 kg up to 61".	SMS V4:	Detailed information is found at the back.
Max weight SMS V4:	75 kg up to 61".	SMS C Basic:	Detailed information is found at the back.
Max weight SMS C Basic:	75 kg up to 61".		

SMS Aero Vesa

A development of Aero, our neatest ceiling support. The Aero Vesa is designed to hang LCD screens directly from the ceiling.

Brackets and supports in many different lengths that ensure you have space for your presentation, whatever the environment.



SMS LCD Aero Vesa is available in aluminium or black, and in different lengths and colours.



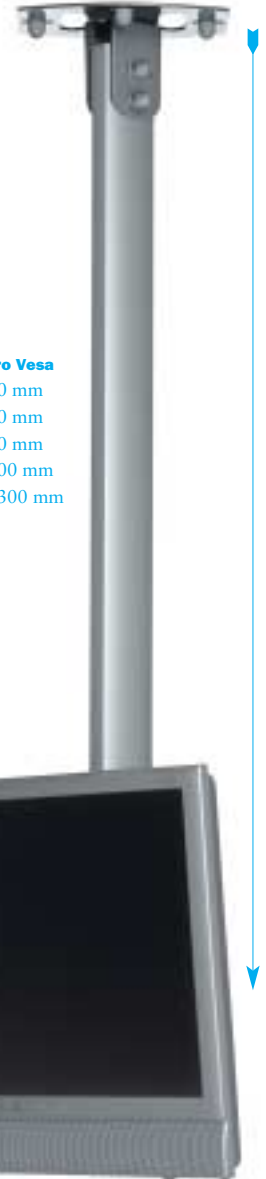
The cables are concealed discreetly in the bracket.



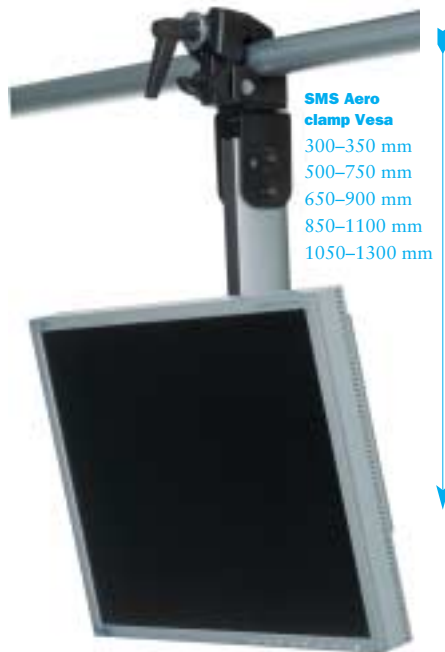
The screen can easily be turned to the desired position.



The SMS bracket can be rotated 360°.



SMS Aero Vesa
300–350 mm
500–750 mm
650–900 mm
850–1100 mm
1050–1300 mm



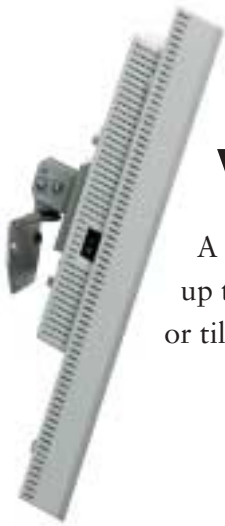
SMS Aero clamp Vesa
300–350 mm
500–750 mm
650–900 mm
850–1100 mm
1050–1300 mm

SMS Aero clamp Vesa 75/100

Specially produced for the quick and easy mounting of LCD screens in places where it would otherwise be difficult to make AV presentations: shops, showrooms and exhibition stands.

INFO

<p>Colour Aero Vesa/Aero clamp Vesa: Black textured lacquer or anodised aluminium in combination with black or silver lacquer.</p>	<p>Drop: (Lengt of bracket)</p> <table border="0"> <tr> <td>300– 350 mm</td> <td>500– 750 mm</td> </tr> <tr> <td>650– 900 mm</td> <td>850–1100 mm</td> </tr> <tr> <td>1050–1300 mm</td> <td></td> </tr> </table>	300– 350 mm	500– 750 mm	650– 900 mm	850–1100 mm	1050–1300 mm	
300– 350 mm	500– 750 mm						
650– 900 mm	850–1100 mm						
1050–1300 mm							
<p>Tilt and rotation: Tilt 0–35° down in all directions and rotation 360°.</p>	<p>Ceiling plate: Width 190 mm, depth 120 mm, oval hole 20 mm. Tilt ±30°.</p>						
<p>Max. load: 15 kg</p>	<p>Detailed information is found at the back.</p>						



SMS wall ST Vesa 75/100

A bracket for mounting the screen close up to the wall. The screen can be swivelled or tilted.

SMS wall Vesa 75/100

The bracket cannot be tilted or angled, but the screen can easily be moved to any other SMS Vesa models.



The screen can be swivelled 20° in all directions.



The screen holder is fixed into place with hexagonal bolts. Includes screen mounting (not shown).



SMS wall Vesa provides full functionality for the user thanks to its simple design.

INFO

SMS wall ST 75/100:

Colour: Silver lacquer.

Max. load: 12 kg

Tilt: down 15°

Swivelled left/right:
20° approx.

SMS wall Vesa 75/100:

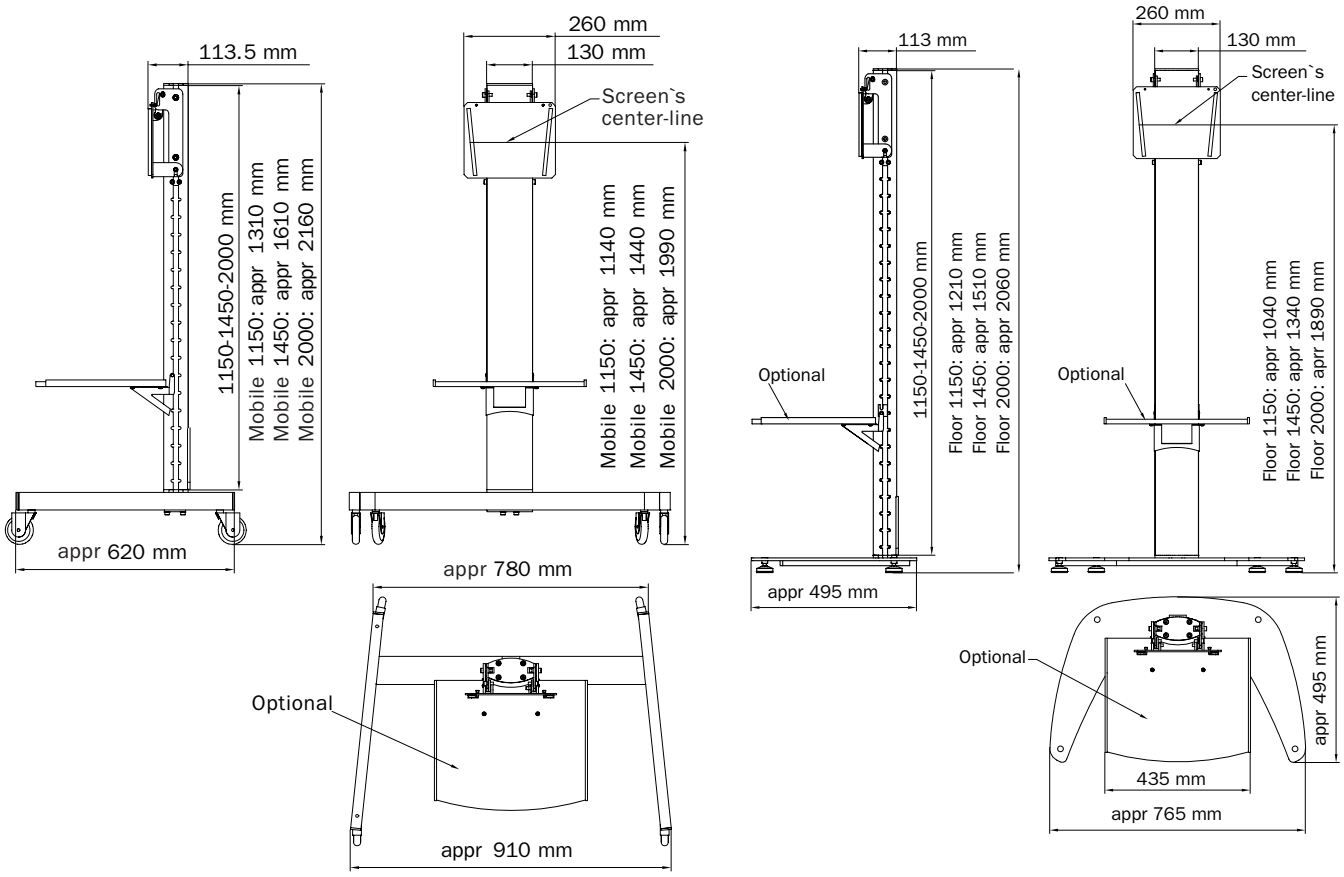
Colour: Silver lacquer.

Max weight: 12 kg

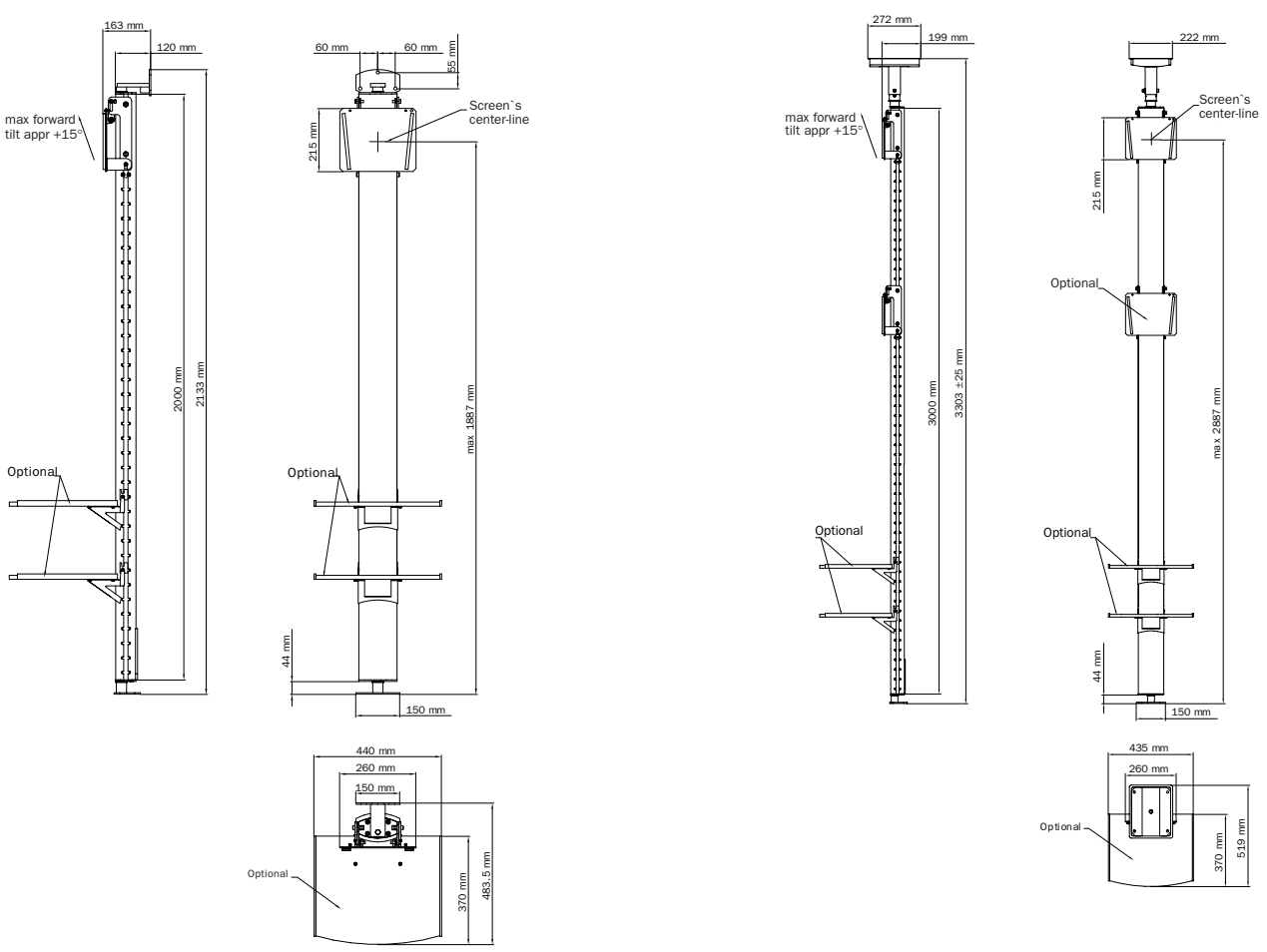
*Distance from wall to
back of screen:* 15 mm

sms[®]
safe brackets ab

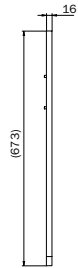
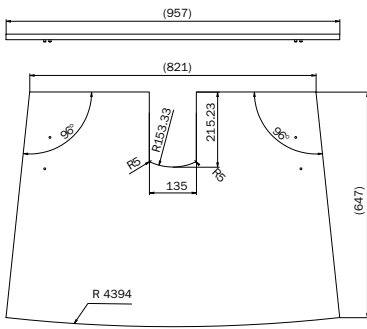
SMS Plasma Mobile/Plasma Floor 1150/1450/2000 Black/Alu



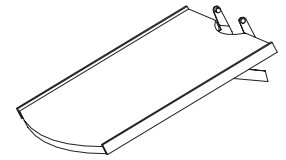
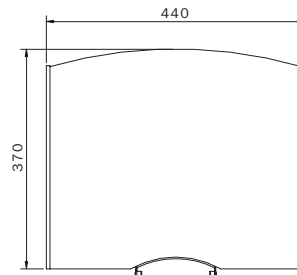
SMS Plasma W/F2000 Black/Alu · SMS Plasma C/F3000 Black/Alu



SMS Accessories

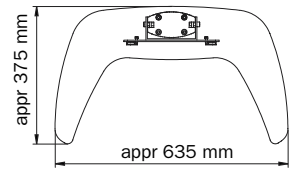
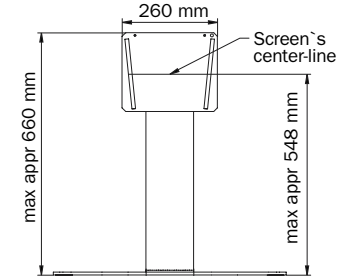
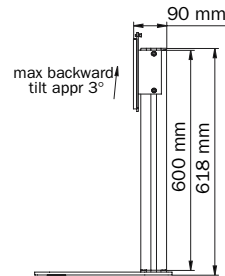
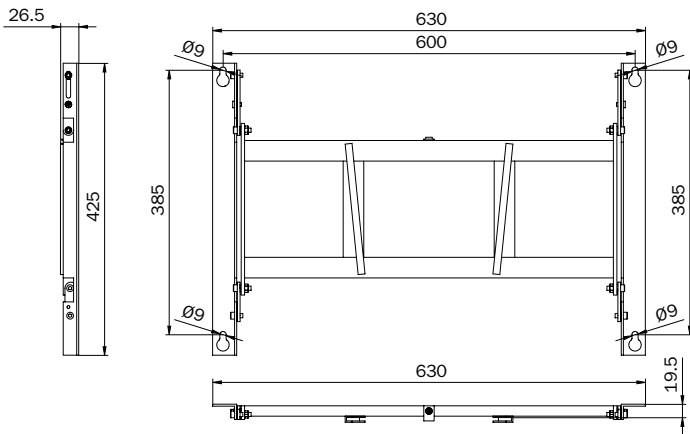


Baseshef for Mobile.

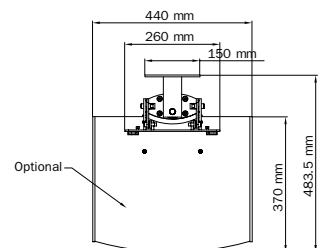
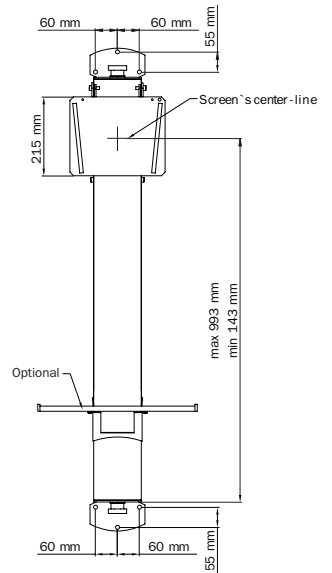
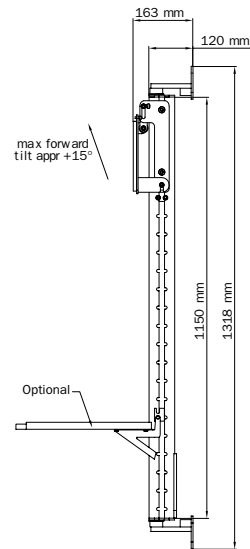
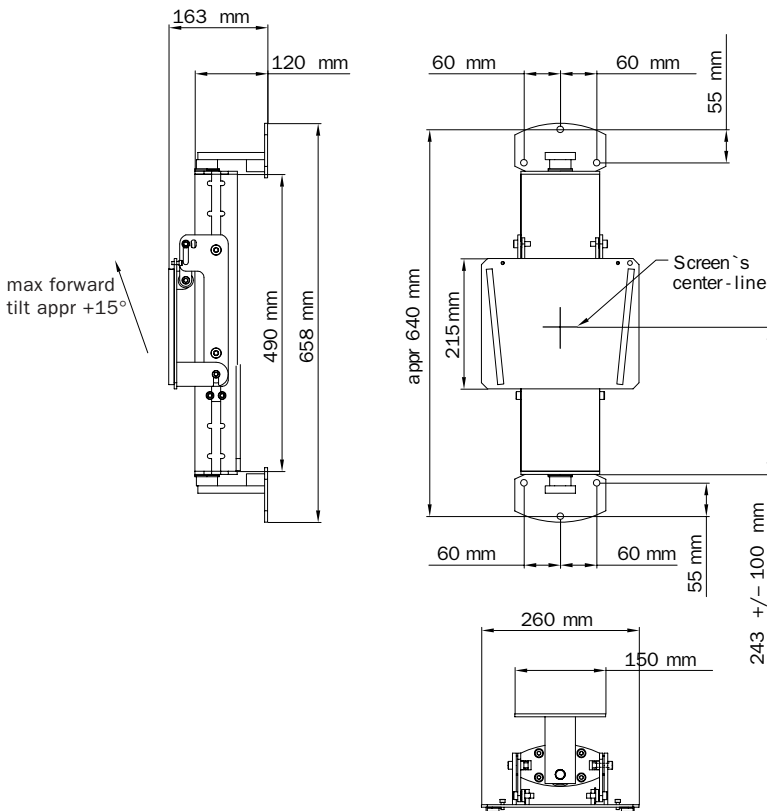


Shelf for W1150/WF2000/CF3000/Mobile.

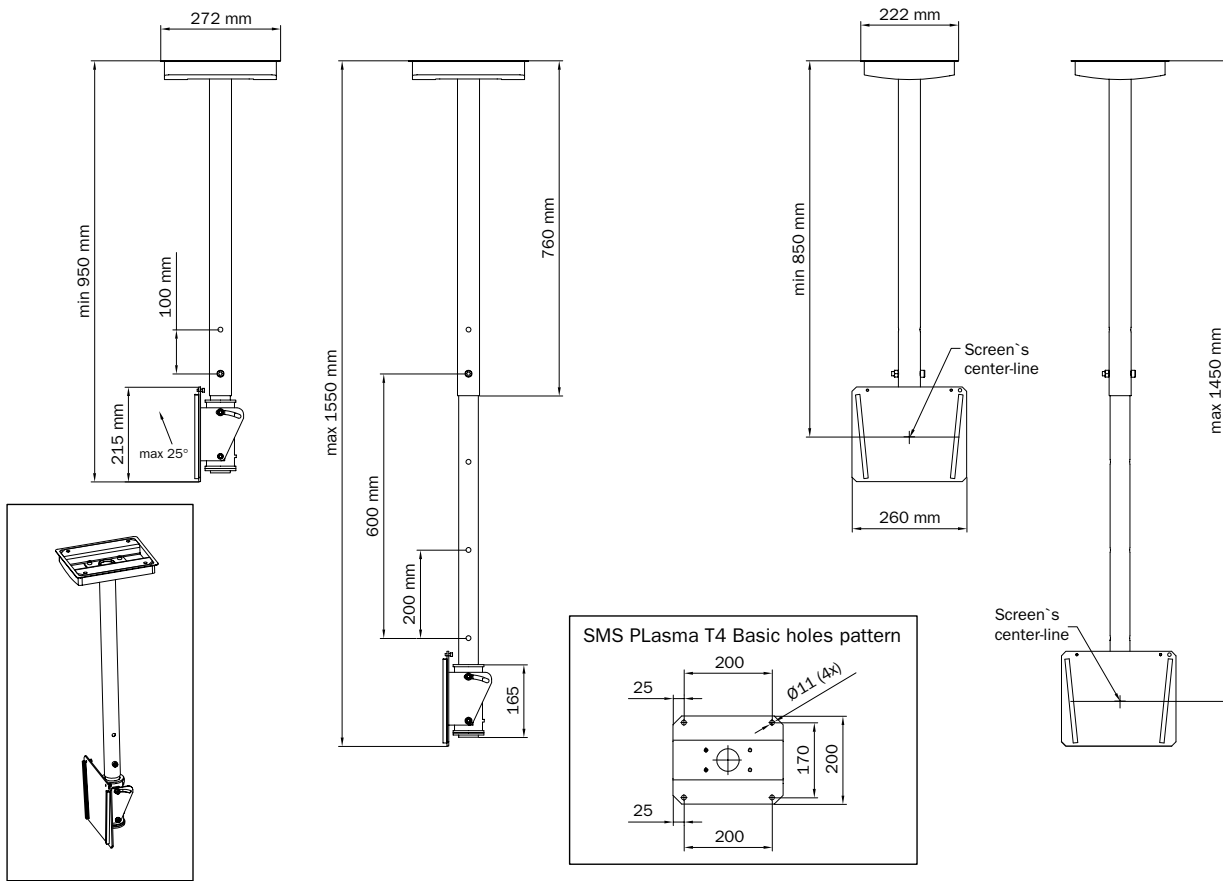
SMS Plasma Basic · SMS Plasma Table



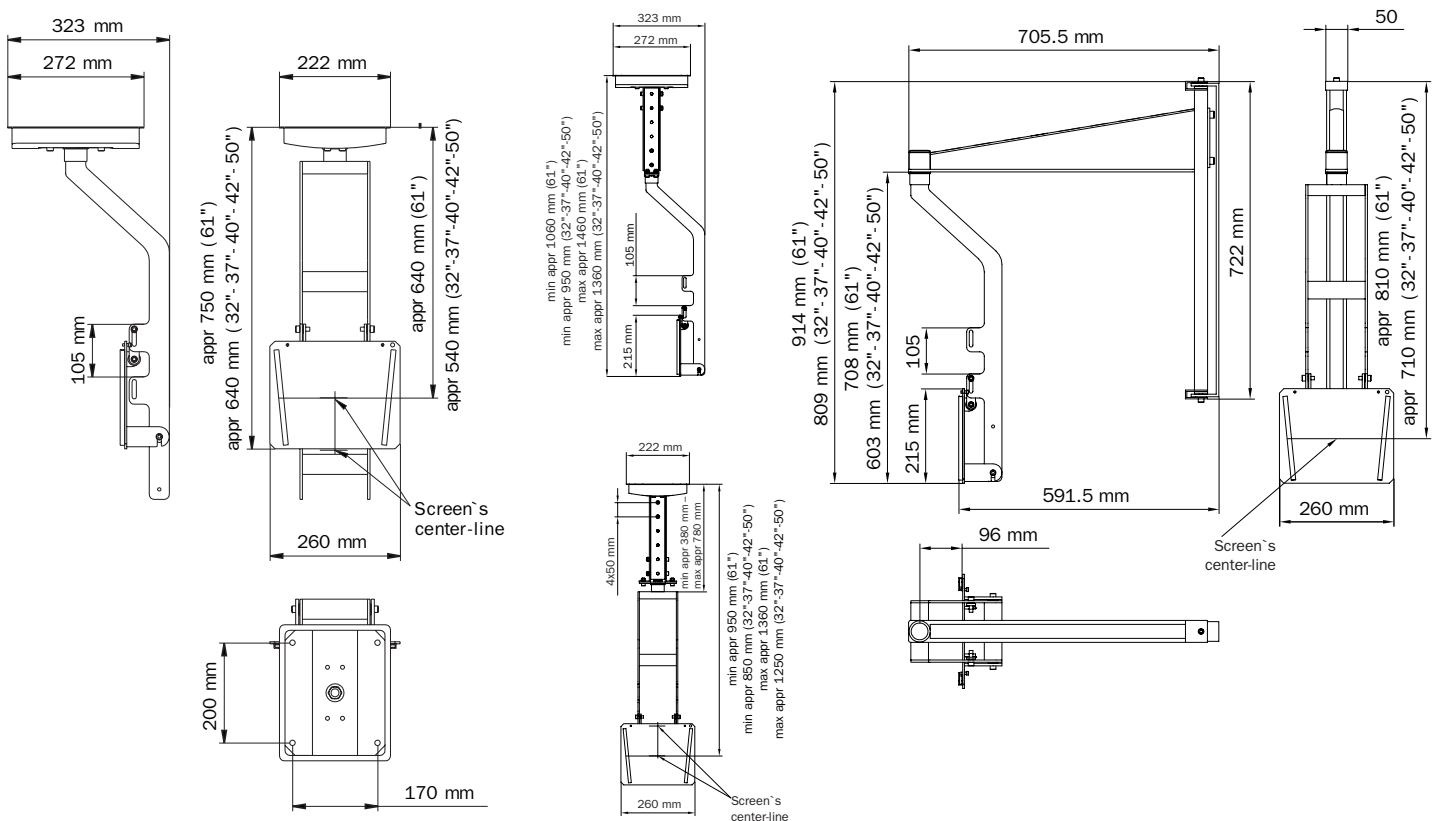
SMS Plasma W490/W1150 Black/Alu



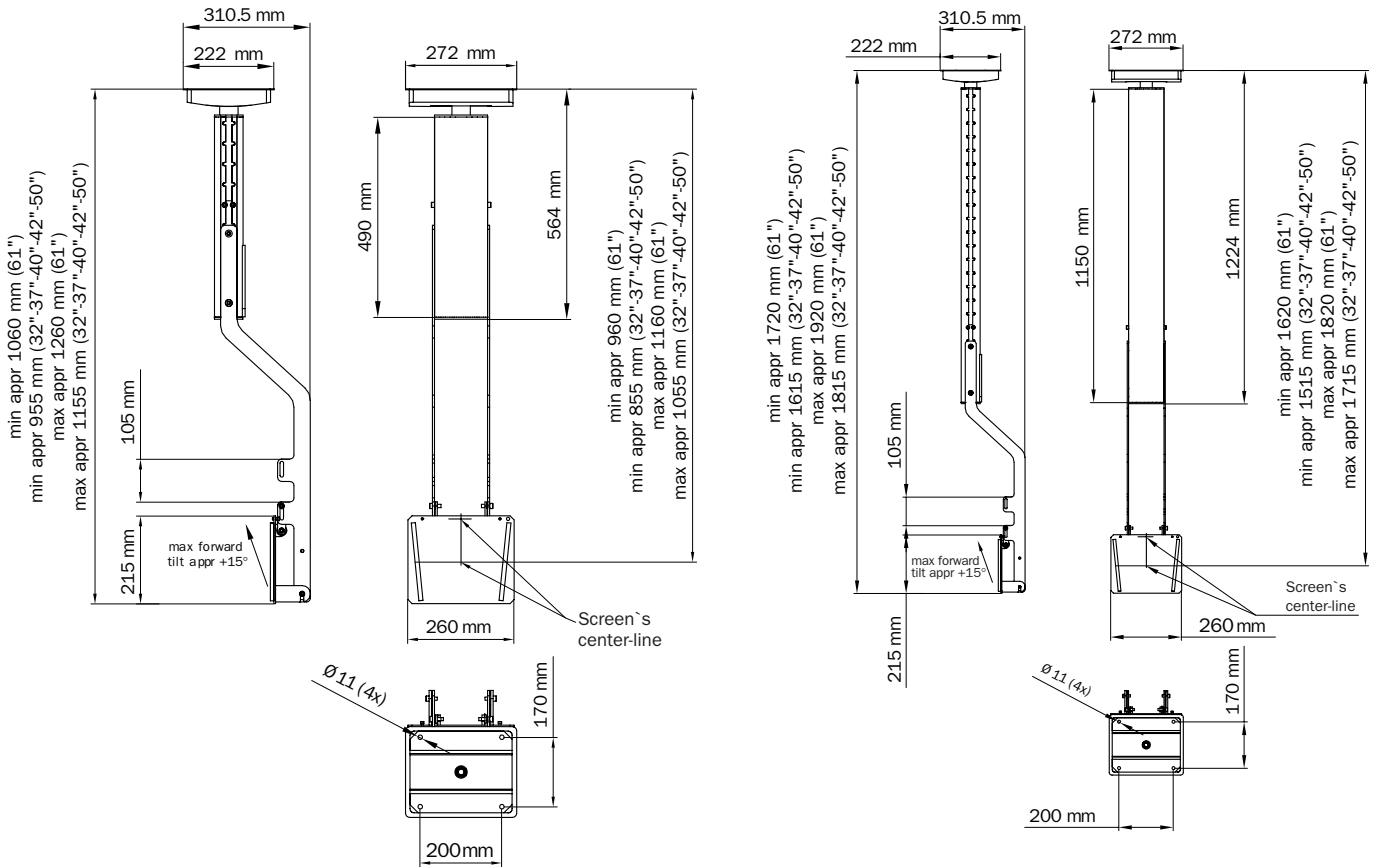
SMS Plasma C Basic



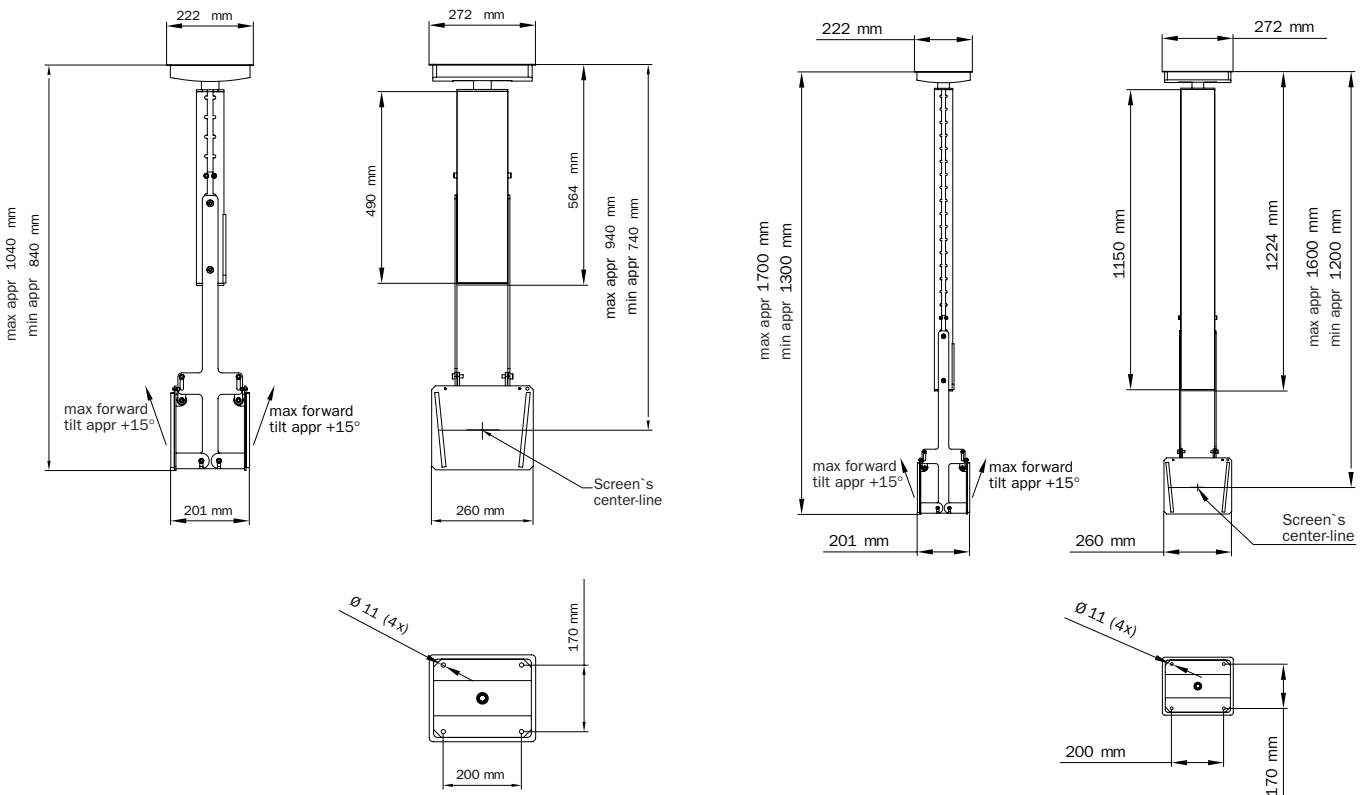
SMS Plasma T4 · SMS Plasma V4



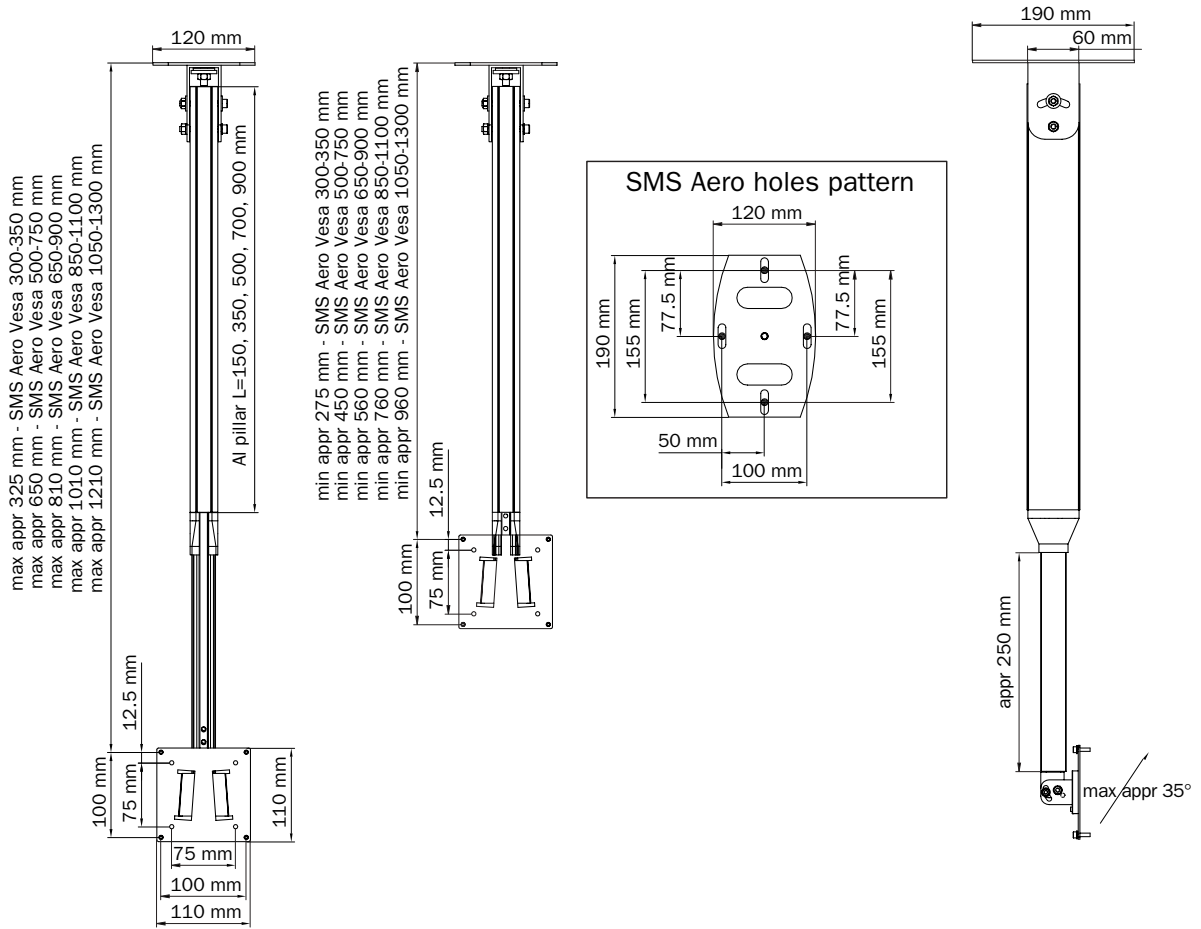
SMS Plasma C490/C1150 Black/Alu



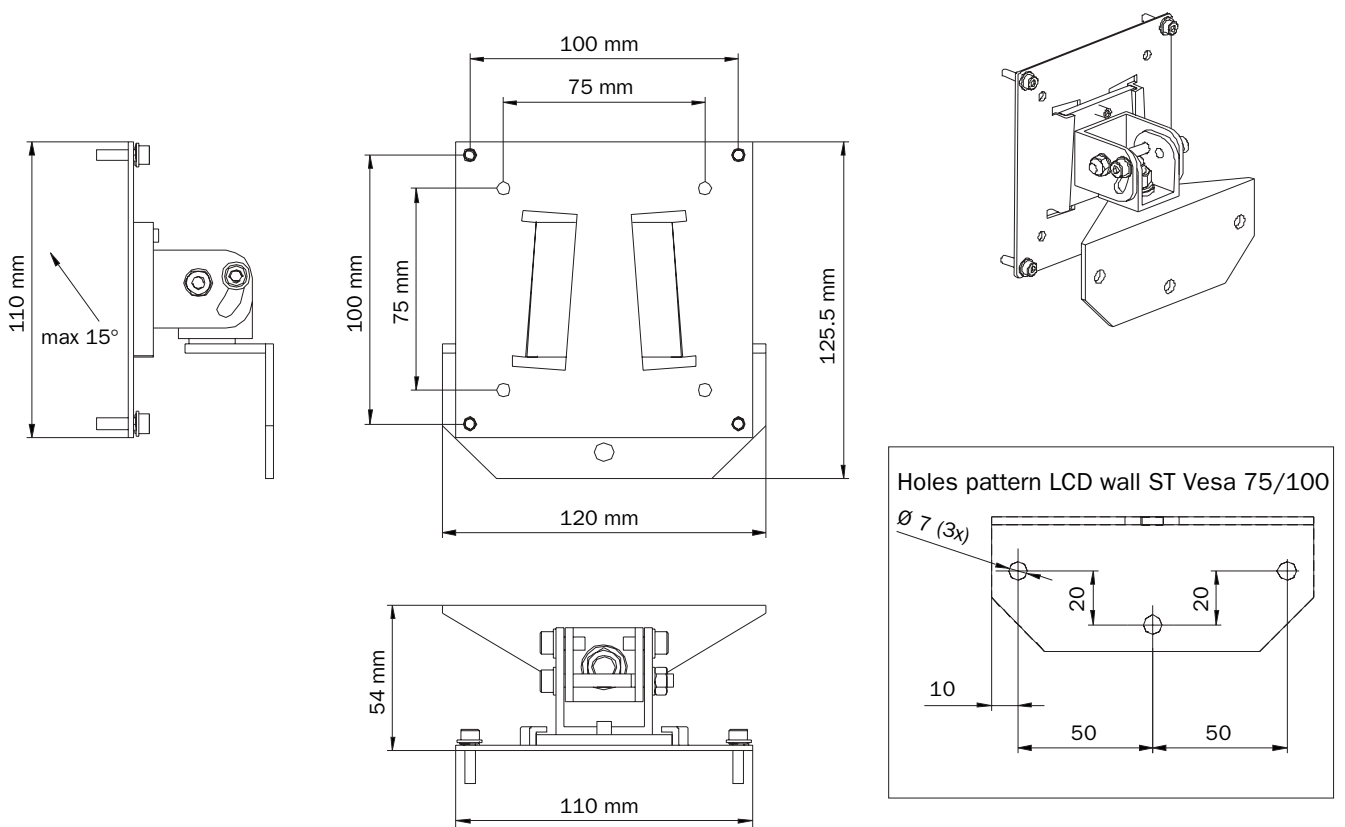
SMS Plasma CD490/CD1150 Black/Alu



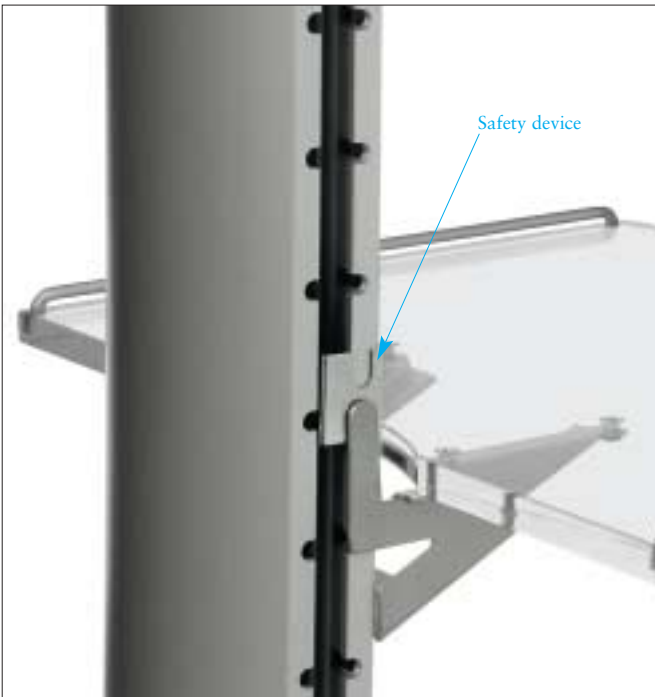
SMS Aero Vesa 75/100



SMS wall ST Vesa 75/100



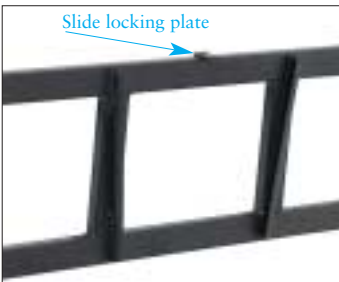
Design · Function · Safety



The shelves can be raised or lowered in steps of 50 mm. A safety device holds them firmly in place.



The Plasma screen with the SMS slide is easily attached to all SMS plasma brackets. All SMS pillar brackets can be locked with a padlock to prevent theft (extra).



No messy cables! The cables are concealed in discreet grooves running along the side of the pillar.



The SMS slide with its V-shaped mounting makes it easy and safe to remove and replace the screen.



The pillar also has a triple, internationally adapted plug socket.



BGB20

